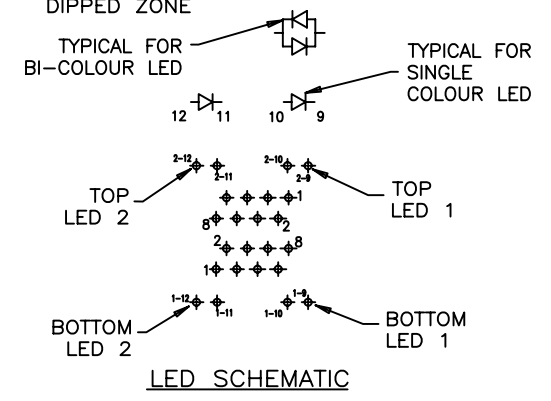
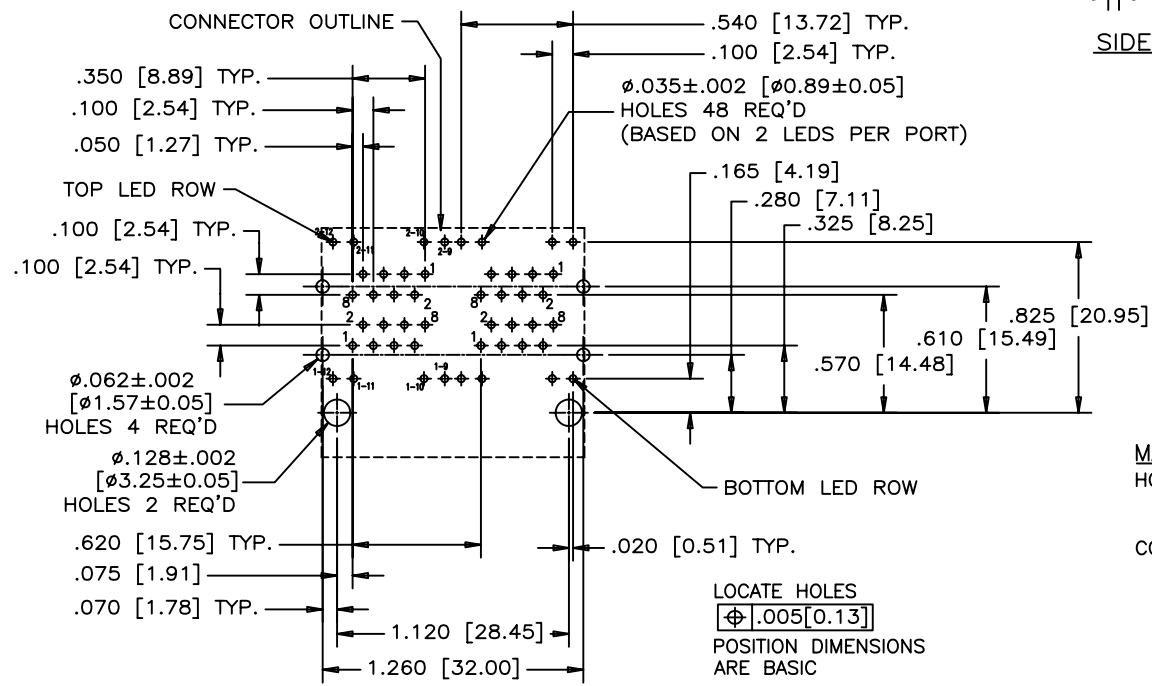
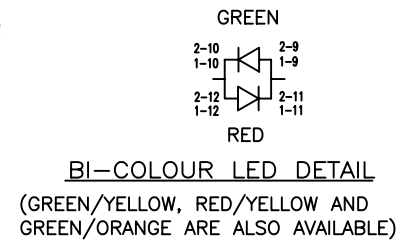
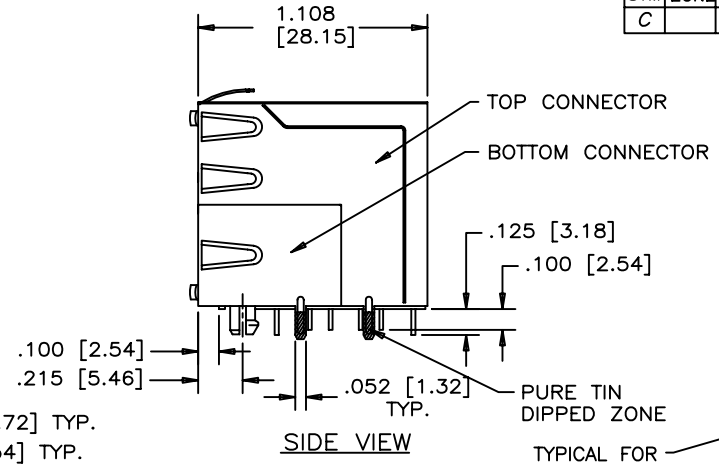
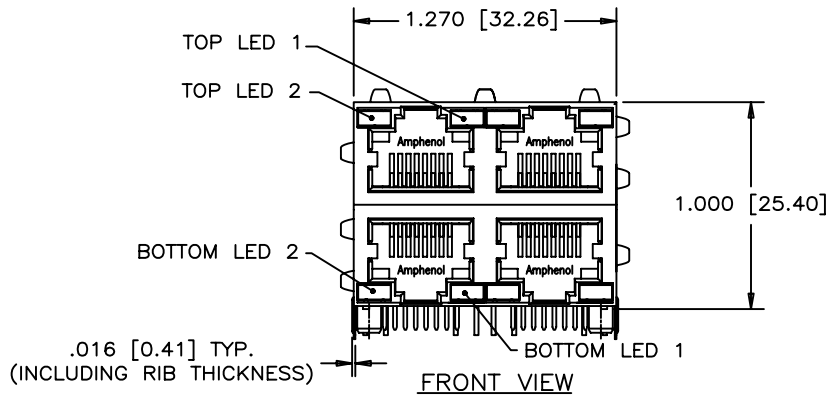
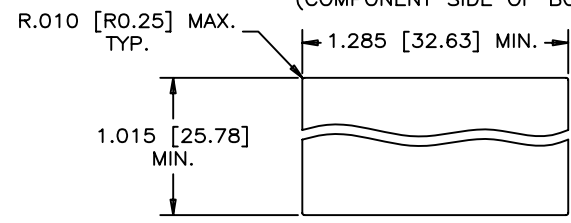


REVISIONS				
SYM	ZONE	DESCRIPTION	DATE	APPRD.
C		PROPOSAL	NOV.16/06	L.CHAN



MATERIALS:
HOUSING: HIGH TEMPERATURE THERMOPLASTIC. FLAMMABILITY RATING UL 94V-0
CONTACTS: PHOSPHOR BRONZE
 PLATING: 50µ" [1.27 MICRONS] MIN. GOLD OVER MATING SURFACES.
 50µ" [1.27 MICRONS] MIN. NICKEL UNDERPLATE.
 100µ" MIN. MATTE TIN OR GOLD FLASH ON CONTACT AILS.
SHIELD: COPPER ALLOY
 PLATING: NICKEL WITH PURE-TIN DIPPED TAILS.

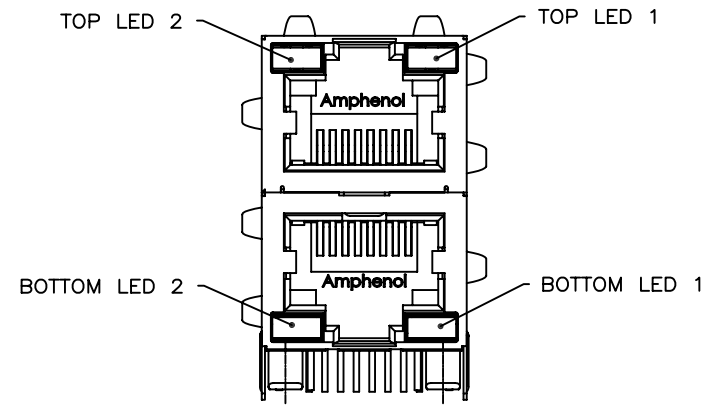
AMPHENOL PART NUMBER: RJSAX-538X-04X
 REFER TO LED OPTIONS DRAWING FOR ORDERING CODES



THIS DOCUMENT CONTAINS PROPRIETARY INFORMATION AND SUCH INFORMATION MAY NOT BE DISCLOSED TO OTHERS FOR ANY PURPOSE OR USED FOR MANUFACTURING PURPOSES WITHOUT WRITTEN PERMISSION FROM AMPHENOL CANADA CORP.

DRAWN ChigowX	DATE NOV.16/06	Amphenol Canada Corp.					
DESIGNED							
CHECKED LCHAN	NOV.16/06	TITLE STACKABLE MULTI-PORT MODULAR JACK, SHIELDED, 4 PORTS, 2 PIECE CONSTRUCTION, (8 POSITION, 8 CONTACTS, WITH LEDS) - RoHS COMPLIANT					
I. E. APPRD.							
Q. A. APPRD.		DWG	DRAWING NO.	REV.			
DWG. APPRD.			P-RJSAX-538X-04X	C			
ENG. REL. NO.		DIMENSIONS ARE IN INCHES [mm]	CODE ID. NO. 03554	SCALE	WT.	SURF.	SHEET 1 OF 1

REVISIONS			
SYM	ZONE	ECN, ERN NO.	DATE APPRD.
C		PROPOSAL	NOV.16/06 L.CHAN

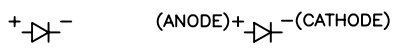


TYPICAL FOR TWO & MULTI-PORT

LED SPECIFICATIONS:
 FORWARD VOLTAGE: 2.1 VOLTS TYP.
 REVERSE VOLTAGE: 5.0 VOLTS MIN.
 LUMINOUS INTENSITY: 0.5 mCd MIN.
 (AT If=2mA)
 STORAGE TEMPERATURE: -20° TO 85° C
 LEAD SOLDERING TEMPERATURE: 260° C
 (5 SEC, 1/16" FROM CASE)
 PLATING ON TAILS: TIN OR TIN/COPPER ALLOY OVER SILVER

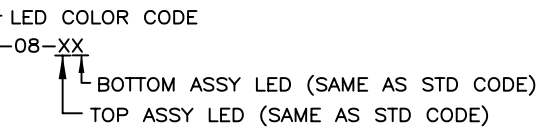
EXAMPLE:

PART NUMBER RJSAE-528X



EXAMPLE:

PART NUMBER RJSAE-538U-08-XX



PRIMARY COLOR FOR BI-COLOR
 LEDS IN STANDARD ANODE/
 CATHODE CONFIGURATION IS:
 RED-GREEN= RED
 RED-YELLOW= RED
 GREEN-YELLOW= GREEN
 GREEN-ORANGE= GREEN



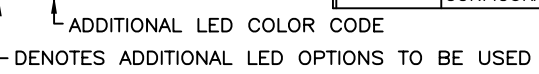
CODE	LED 2 (LEFT)	LED 1 (RIGHT)	CODE	LED 2 (LEFT)	LED 1 (RIGHT)	CODE	LED 2 (LEFT)	LED 1 (RIGHT)
0	BLOCKED	BLOCKED	9	GREEN	BLOCKED	J	BiC RD/GR	YELLOW
1	YELLOW	GREEN	A	BiC GR/YE	BiC GR/YE	K	YELLOW	BiC GR/OR
2	BLOCKED	GREEN	B	BiC RD/GR	BiC RD/GR	L	BiC GR/YE	RED
3	YELLOW	BLOCKED	C	BiC RD/GR	BiC GR/YE	M	RED	YELLOW
4	GREEN	YELLOW	D	GREEN	BiC GR/YE	N	BiC GR/RD	BiC GR/YE
5	GREEN	GREEN	E	YELLOW	BiC GR/YE	P	GREEN	BiC RD/GR
6	YELLOW	YELLOW	F	BiC GR/YE	YELLOW	R	BiC GR/OR	GREEN
7	RED	GREEN	G	BiC GR/OR	BiC GR/OR	T	RED	RED
8	GREEN	RED	H	BiC GR/YE	GREEN	V	BiC RD/GR	GREEN
			W	ADDITIONAL OPTIONS				
			U	SPECIAL CODE FOR TOP & BOTTOM LEDS CONFIGURATION				

LEGEND

BiC=BI-COLOR LED
 LOWC=LOW CURRENT LED
 YE=YELLOW
 GR=GREEN
 RD=RED
 OR=ORANGE

EXAMPLE OF ADDITIONAL LED OPTIONS:

PART NUMBER RJSAE-528W-A2X



CODE	LED 2 (LEFT)	LED 1 (RIGHT)	CODE	LED 2 (LEFT)	LED 1 (RIGHT)	CODE	LED 2 (LEFT)	LED 1 (RIGHT)
0	DO NOT USE		5	BLOCKED	YELLOW	A	LOWC YE	LOWC YE
1	RED	BLOCKED	6	RED	BiC RD/GR	B	LOWC YE	LOWC GR
2	BiC GR/OR	YELLOW	7			C	LOWC GR	LOWC YE
3	YELLOW	RED	8	BiC RD/GR	BLOCKED	D	LOWC GR	LOWC GR
4	BLOCKED	RED	9	BiC GR/YE	BLOCKED	M	LOWC RD	LOWC YE
						N	GREEN	BiC GR/OR

NOTE:

THE TWO DIGITS PRECEDING THE
 ADDITIONAL LED CODE MUST BE
 USED IN THE PART NUMBER, WHEN
 ORDERING ANY OF THE ADDITIONAL
 LED OPTIONS.

DRAWN	ChigowX	DATE	NOV.16/06	Amphenol Canada Corp.			
DESIGNED							
CHECKED	LCHAN	DATE	NOV.16/06	TITLE LED OPTIONS FOR RJSAE, MULTI-PORT CONNECTORS - RoHS COMPLIANT			
I. E. APPRD.				DWG DRAWING NO. P-RJSAE-LEDS			
Q. A. APPRD.				REV. C			
DWG. APPRD.				SCALE			
ENG. REL. NO.				WT. _____ SURF. _____ SHEET 1 OF 1			
REF.				DIMENSIONS ARE IN INCHES (mm) CODE ID. NO. 03554			

THIS DOCUMENT CONTAINS PROPRIETARY INFORMATION AND SUCH INFORMATION MAY NOT BE DISCLOSED TO OTHERS FOR ANY PURPOSE OR USED FOR MANUFACTURING PURPOSES WITHOUT WRITTEN PERMISSION FROM AMPHENOL CANADA CORP.